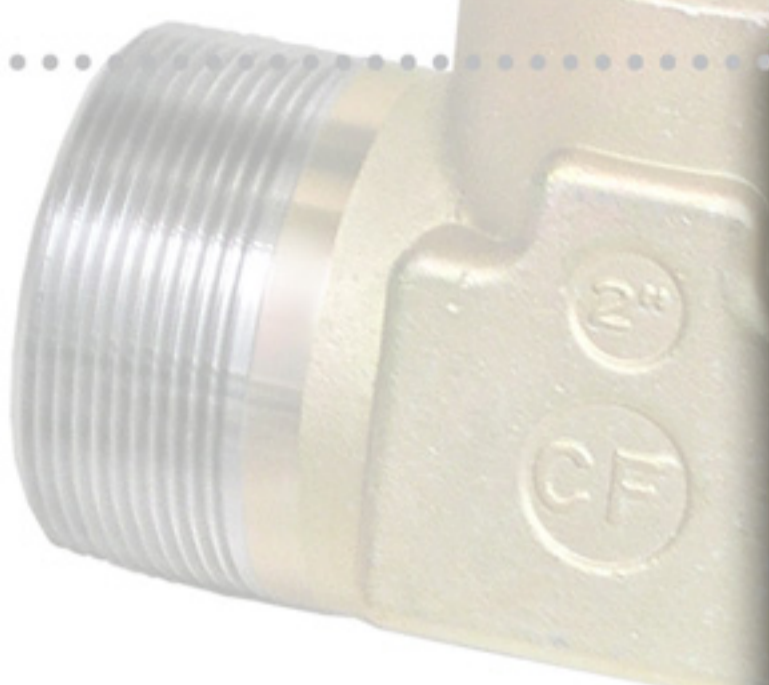


2" IPS Plug Tees

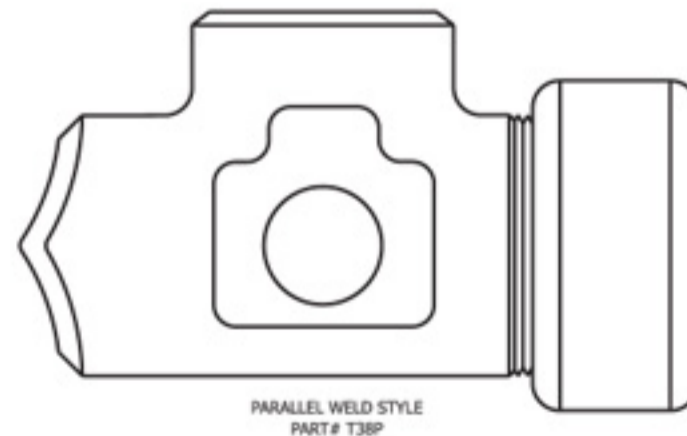
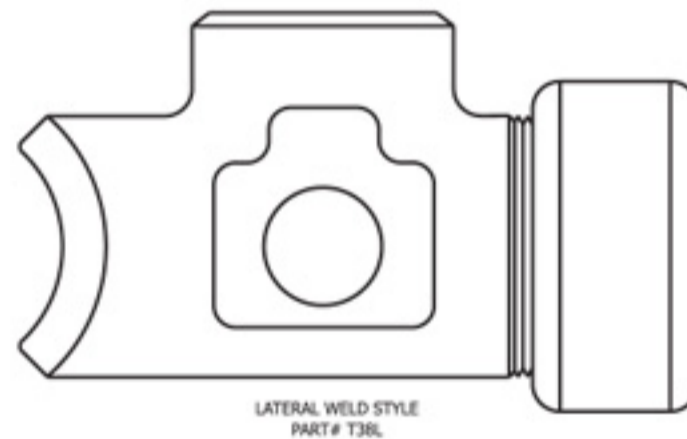
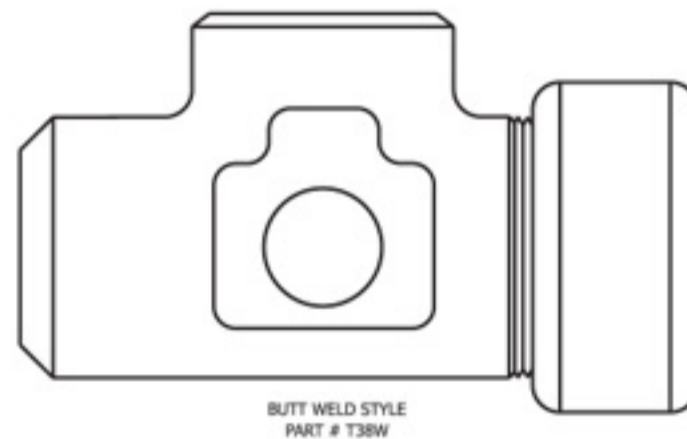
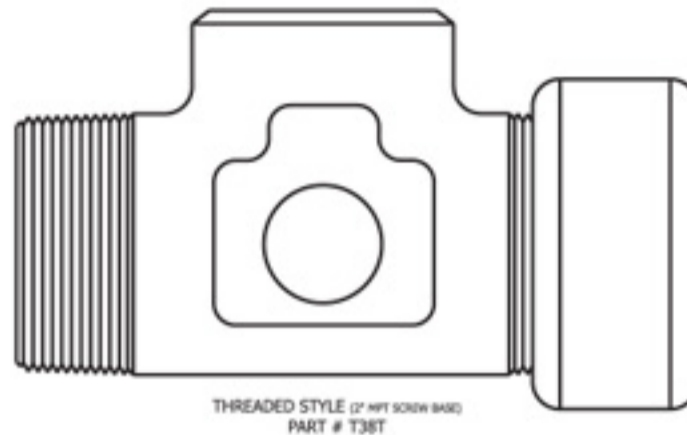
*A solid,
reliable tee
for large
services and
lateral main
extensions.
The 1-piece
design
adapts to a
wide variety
of drilling
and
stopping
equipment.*



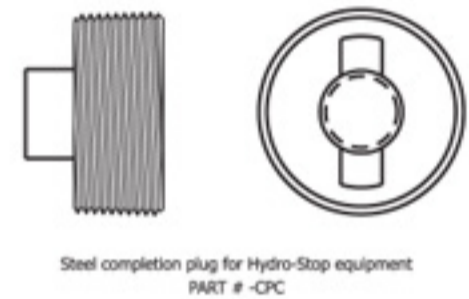
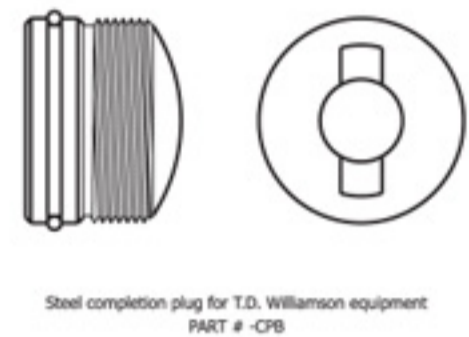
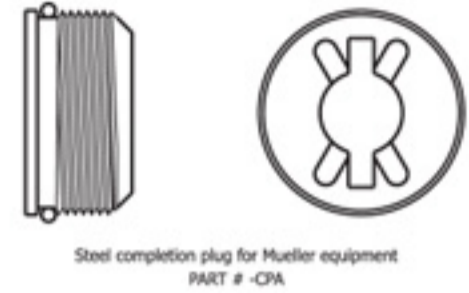
2" IPS Plug Tees



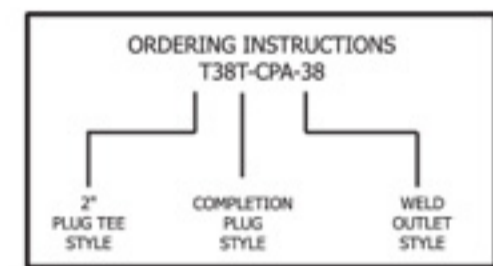
2" PLUG TEES



COMPLETION PLUGS



WELD OUTLET STYLES	
-38	2" IPS BUTT WELD



- RATED AT 990 PSI
- TEES FIT: MUELLER, T.D. WILLIAMSON AND HYDRO-STOP EQUIPMENT
- AVAILABLE IN: BUTT WELD, PARALLEL WELD, LATERAL WELD AND THREADED
- 1-PIECE SOLID CONSTRUCTION